

STAINLESS STEEL SWING CHECK VALVE FEMALE BSP

Stainless steel swing check valve female BSP metal seat for chemical and pharmaceutical industries, petrochemical industries, hydraulic installation and water.

Horizontal or vertical position with ascending fluid.

Compatible with explosive atmosphere, ATEX Zone 1&21 and Zone 2&22 (optional marking).



Certificate

3.1



PED 2014/68/UE



Size : DN1/4" to DN2"

Connection : Female BSP

Min Temperature : -25°C

Max Temperature : +180°C

Max Pressure : 16 Bars

Specifications : Swing type

Horizontal or vertical position with ascending fluid

Metal seat

Weak head loss

Materials : Stainless steel ASTM A351 CF8M

STAINLESS STEEL SWING CHECK VALVE FEMALE BSP

SPECIFICATIONS :

- Vertical position with ascendant fluid or horizontal position
- Respect the flow direction indicated by the arrow
- Female cylindrical threaded BSP ends
- Swing type
- Metal / metal tightness

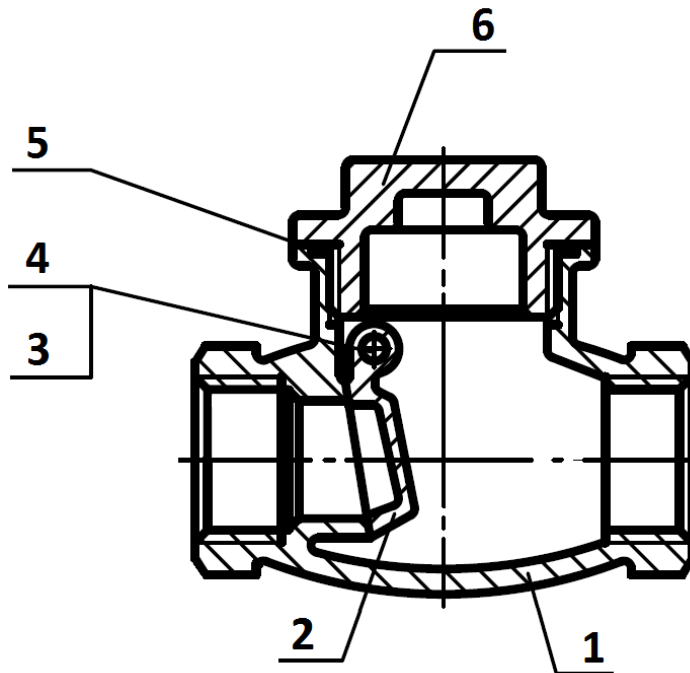
USE :

- Chemical and pharmaceutical industries, petrochemical industries, hydraulic installation
- Min Temperature Ts : - 25°C
- Max Temperature Ts :+ 180°C
- Max Pressure Ps : 16 bars

RANGE :

- Swing check valve female cylindrical threaded BSP ends from DN 1/4" to DN 2"

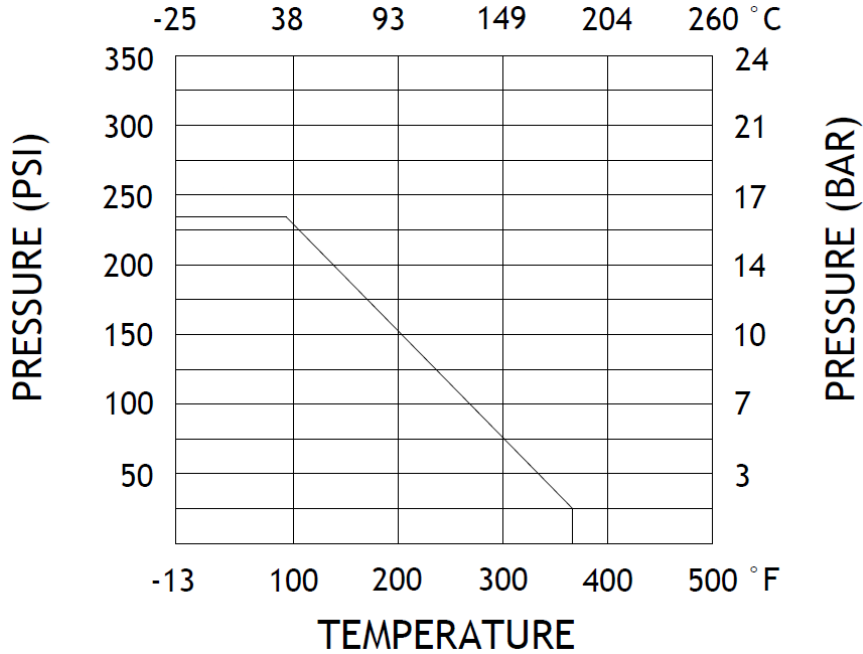
MATERIALS :



Item	Designation	Materials
1	Body	ASTM A351 CF8M
2	Disc	
3	Stem	AISI 316
4	Stem gasket	PTFE
5	Bonnet gasket	
6	Bonnet	ASTM A351 CF8M

STAINLESS STEEL SWING CHECK VALVE FEMALE BSP

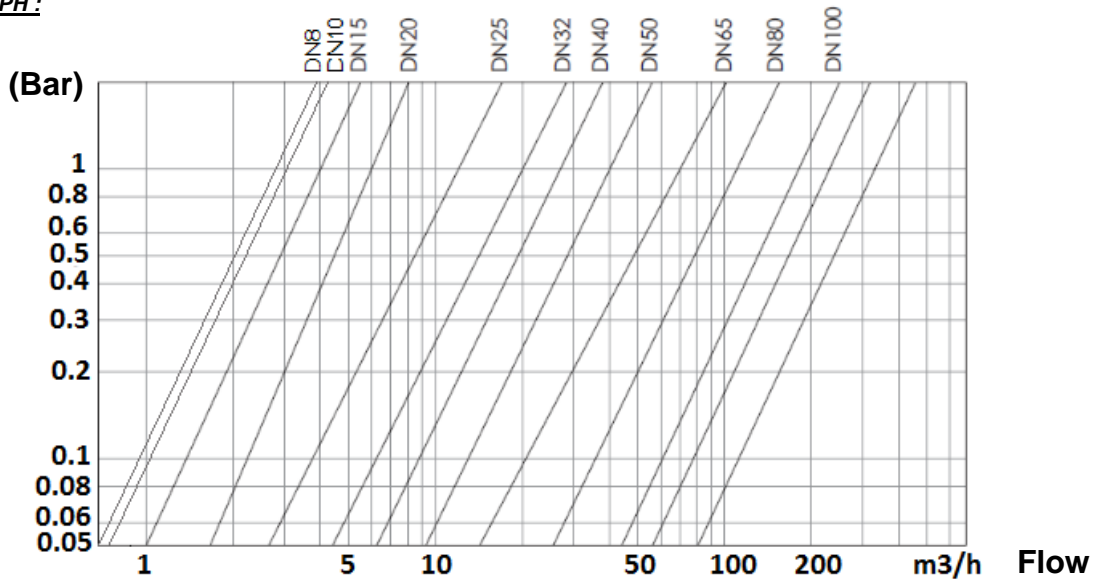
PRESSURE / TEMPERATURE GRAPH (STEAM EXCLUDED) :



FLOW COEFFICIENT Kvs (M3 / h) :

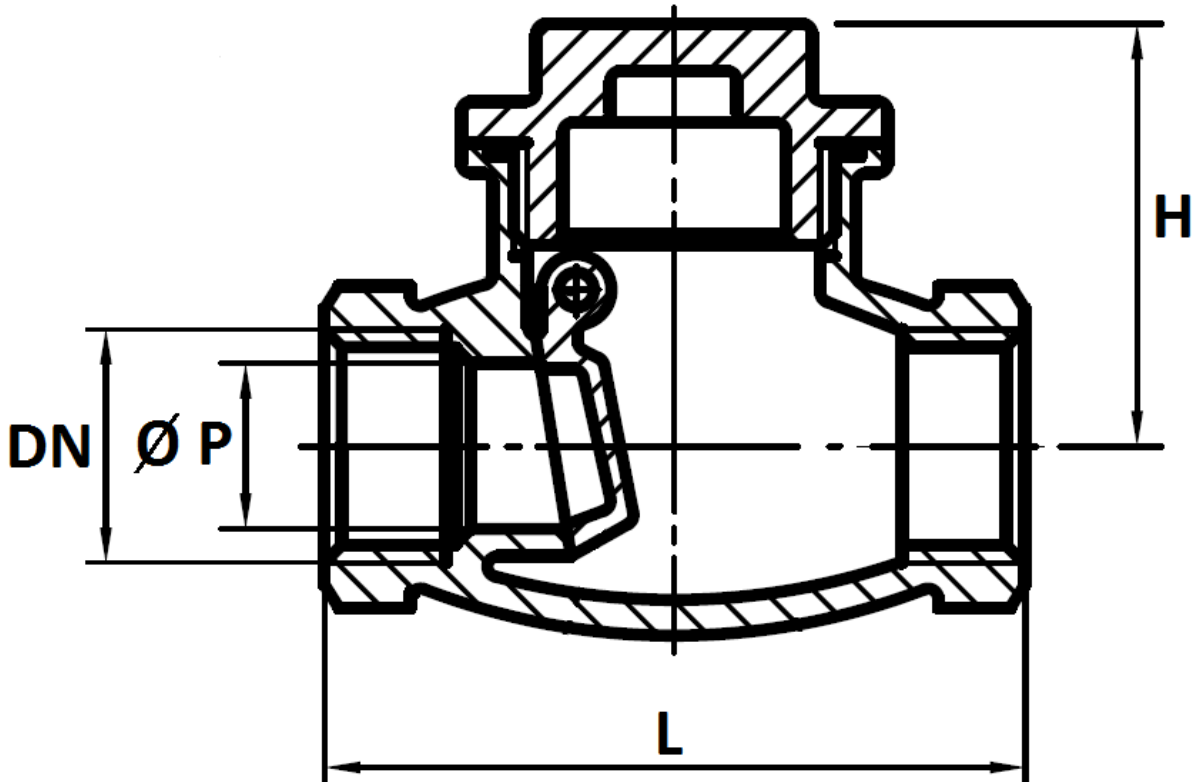
DN	1/4"	3/8"	1/2"	3/4"	1"	1"1/4"	1"1/2"	2"
Kvs (m3/h)	2.6	3.1	4.4	6.8	10	17	26	43

HEAD LOSS GRAPH :



STAINLESS STEEL SWING CHECK VALVE FEMALE BSP

SIZE (in mm) :



DN	1/4"	3/8"	1/2"	3/4"	1"	1"1/4	1"1/2	2"
Ø P	10	12	15	20	25	32	40	50
L	63	63	63	78	87	100	115	135
H	42	42	42	46	50	54	64	71
Weight (Kg)	0.27	0.26	0.23	0.35	0.54	0.81	1.01	1.62
Ref	320002	320003	320004	320005	320006	320007	320008	320009

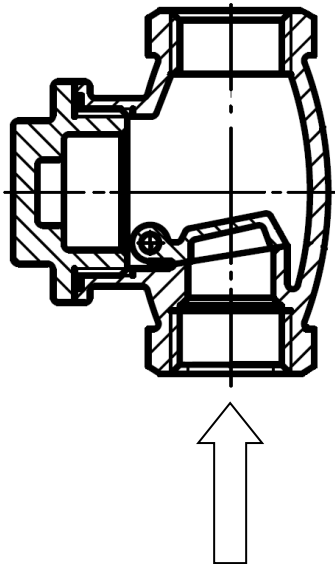
STAINLESS STEEL SWING CHECK VALVE FEMALE BSP

STANDARDS :

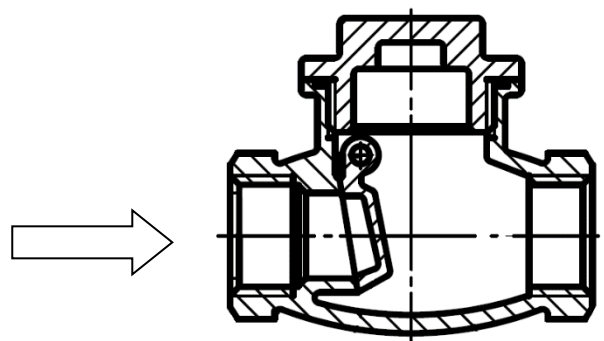
- Manufacturer certified ISO 9001 : 2015
- DIRECTIVE 2014/68/EU : CE N° 0036
Risk Category II Module A2
- Certificate 3.1 on request
- Pressure tests according to **API 598, table 6**
- Threaded cylindrical female BSP ends according to **ISO 7-1 Rp**
- ATEX Group II Category 2 GD c T2 Zone 1 & 21 Zone 2 & 22 (optional marking)

INSTALLATION POSITIONS :

Vertical position (ascendant fluid)



Horizontal position



ADVICE : Our opinion and our advice are not guaranteed and SFERACO shall not be liable for the consequences of damages. The customer must check the right choice of the products with the real service conditions.